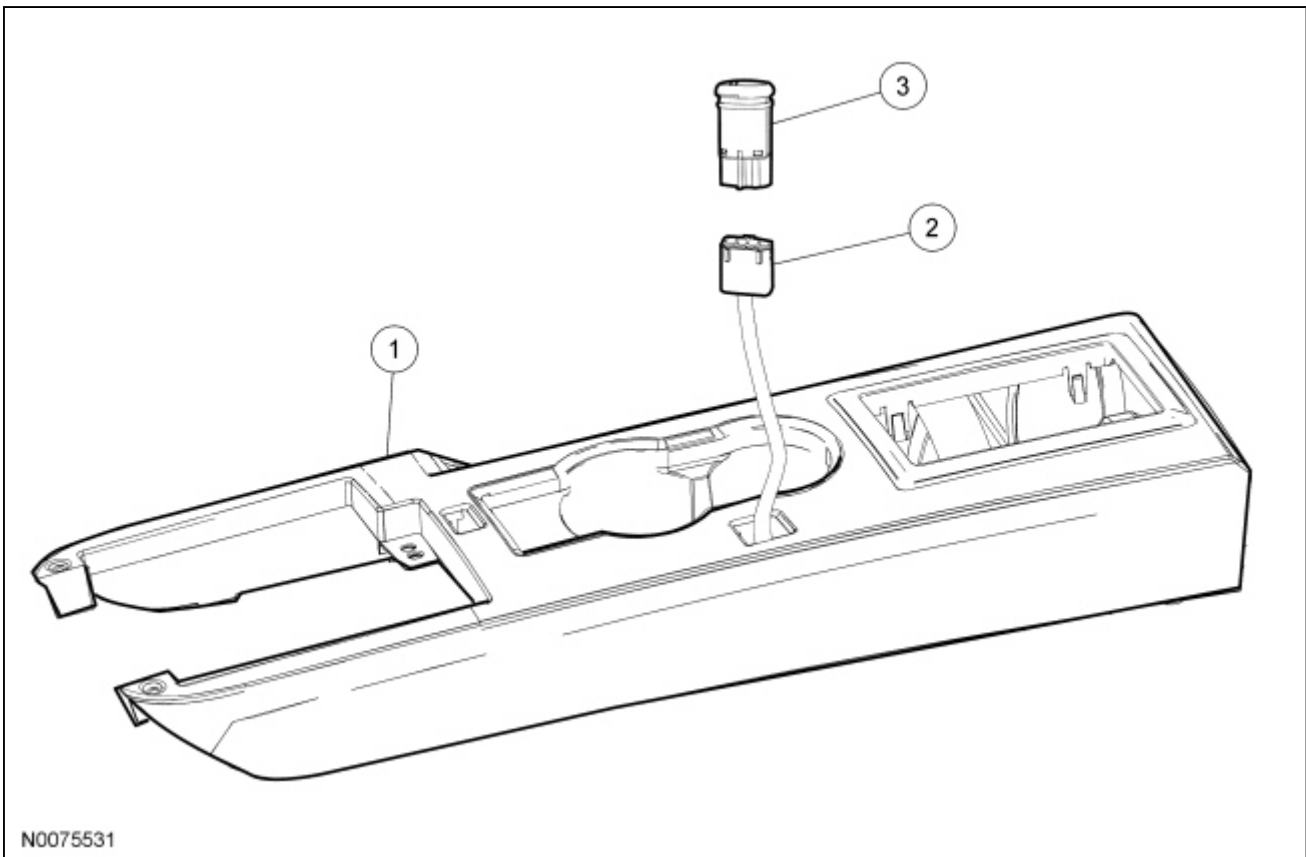


Ambient Lighting Switch



N0075531

Item	Part Number	Description
1	63044F06	Floor console finish panel
2	—	Ambient lighting switch electrical connector (part of 14D375)
3	13D806	Ambient lighting switch

Removal and Installation

1. Remove the floor console finish panel. For additional information, refer to [Section 501-12](#).
 - Disconnect the electrical connectors.
2. Squeeze the retaining tabs and remove the ambient lighting switch.
3. To install, reverse the removal procedure.

